

# CTC EcoLogic S

Simple but logical heat pump control



**CTC EcoLogic S is a simpler type of heat pump control and is available in two designs.**

One developed for the CTC EcoAir 400-600M air/water heat pumps and one for the CTC EcoPart 400-600M geothermal heat pumps.

CTC EcoLogic S enables a heat pump to be installed together with a hot water storage tank or with our older indoor modules, such as CTC EcoEI.

CTC EcoLogic S can also be used when installing a heat pump together with products with 3-way valves for hot water production, such as exhaust air heat pumps.

CTC EcoLogic S is equipped with a 4.3 inch touchscreen with clear symbols and twelve language options. It is possible to mirror the display on your home network and you can also control your product remotely with the MyUplink app. The control comes with wall mount, manual and 5 m or 15 m connection cable.

## Benefits

- Simple but logical control
- Internet connectivity as standard
- 4.3 inch touchscreen with 12 languages
- Suitable for both ground source and air/water heat pumps
- Easy control for a heat pump connected to a hot water storage tank
- Can also control a heatpump connected to an older indoor module
- Enables installation of CTC products with other brands

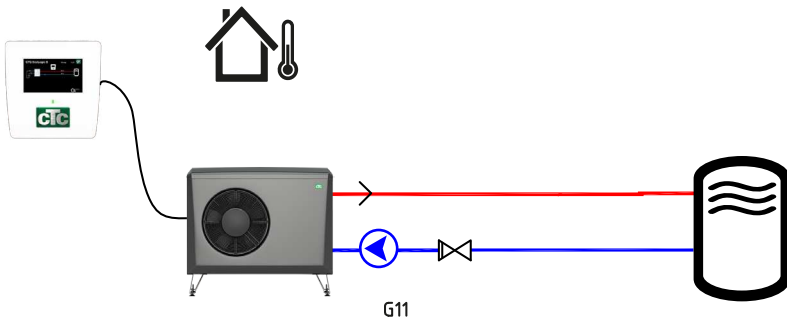
ENERGY  
FLEX



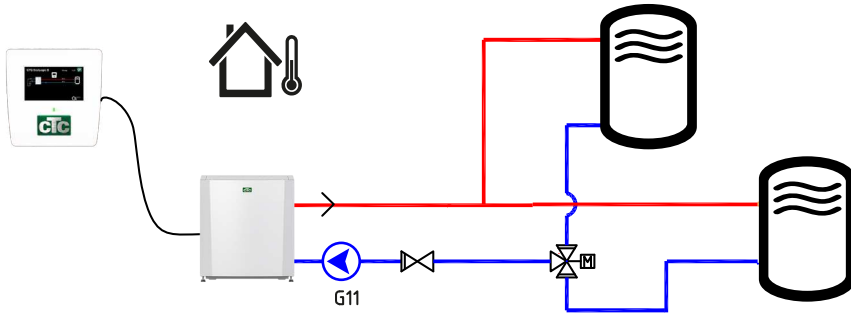
Find a CTC distributor in your country  
[www.ctc-heating.com](http://www.ctc-heating.com)

## Examples of installation

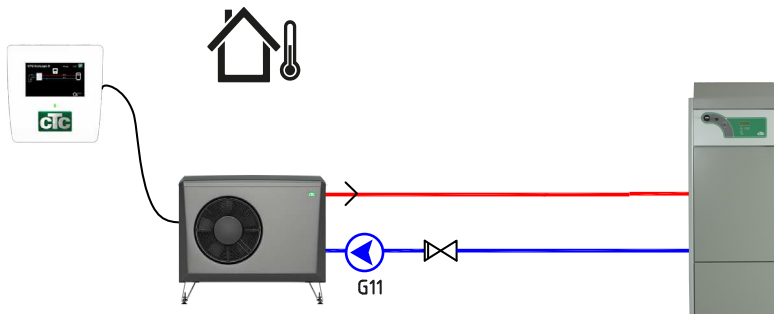
- towards an existing heating system



- towards a system with diverting valve for hot water production e.g. exhaust air heat pumps



- towards older indoor modules e.g. CTC EcoEI



## Delivery includes EA:

Control unit with wall bracket, 15 m communication cable, outdoor sensor, and manual.

## Compatible heat pumps:

CTC EcoAir 400/500M/600M  
from: 7311/7312-2101-0030

## Delivery includes EP:

Control unit with wall bracket, 5 m communication cable, outdoor sensor, and manual.

## Compatible heat pumps:

CTC EcoPart 400/600M  
from: 7302-2101-0051

2020-02-19 The Company reserves the right to change, amend or modify the information contained herein (Not all models are available in all countries)

Technical data		EA	EP
CTC no.		589560301	589560302
Weight (packaged weight)	kg	0.8 (1)	
Dimensions (width x depth x height)	mm	28x159x160	
Electrical Data, connection		24V	
Ingress Protection class (IP)		IP X1	

Energy labelling stickers and data sheets can be downloaded from [www.ctc-heating.com/Ecodesign](http://www.ctc-heating.com/Ecodesign)

info@enertech.se

+46 372 88 000

Fax: +46 372 86 155

P.O. Box 309 SE-341 26 Ljungby Sweden



17003543\_2